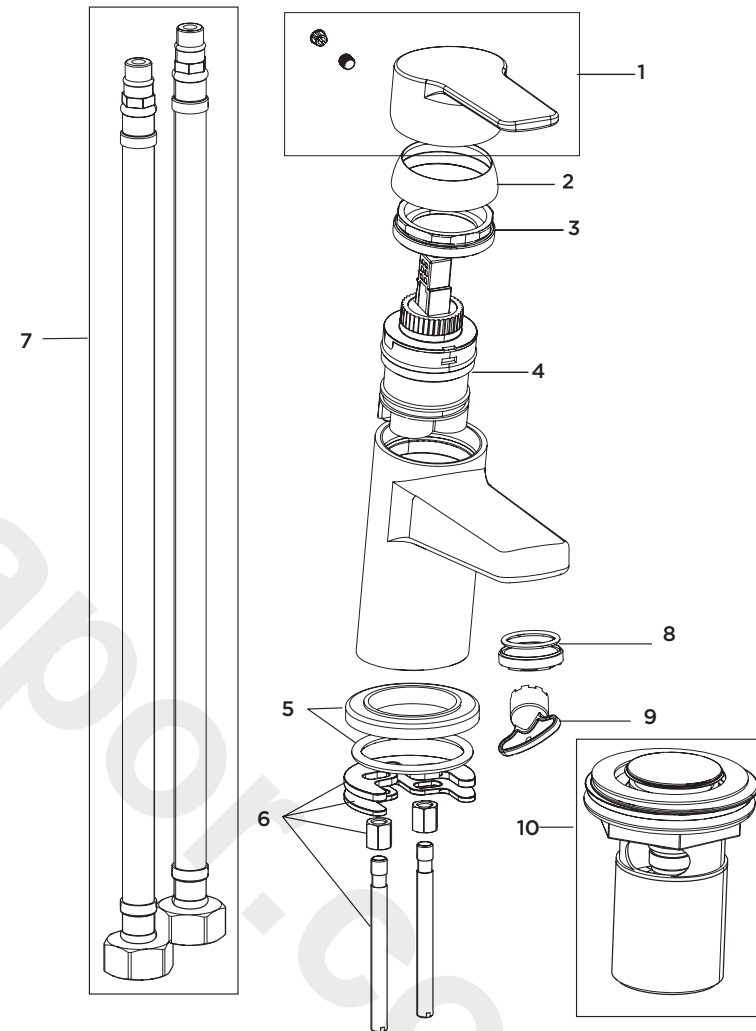


Product Code: PS2 BAS C

Revision: D1



1	Handle Assembly
2	Shroud
3	Retaining nut
4	Cartridge
5	Plinth & Washer
6	Fixing Kit
7	Flexible tails
8	Flow Straightener
9	Service Key
10	Waste Assembly